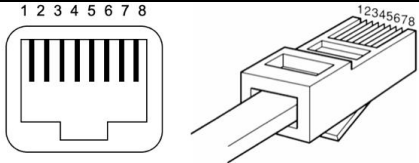
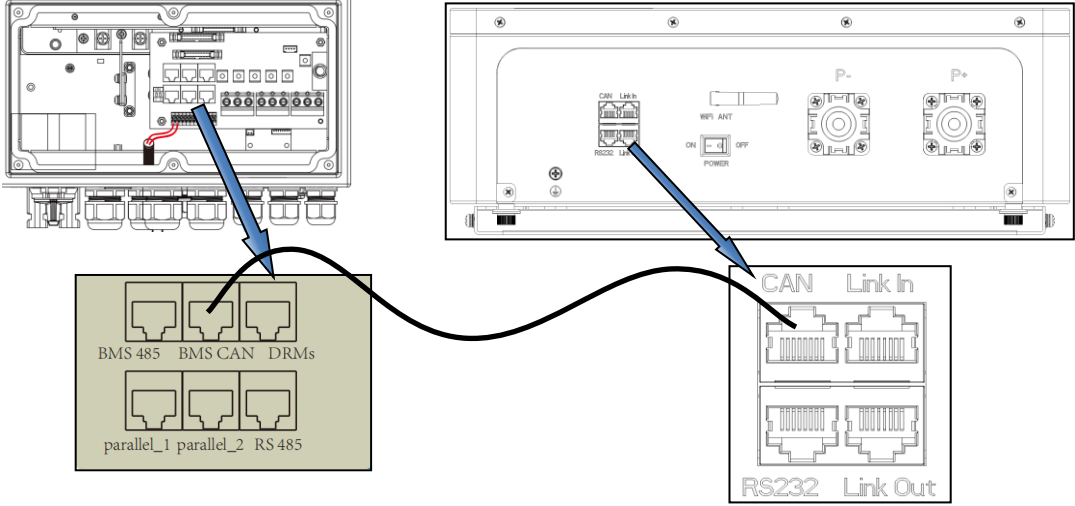


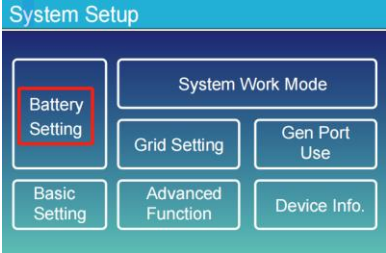
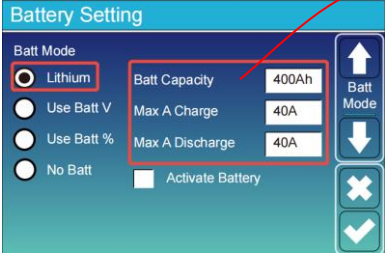
Inverex Low Voltage System Quick Connection Guide

1: Communication Cable Connection

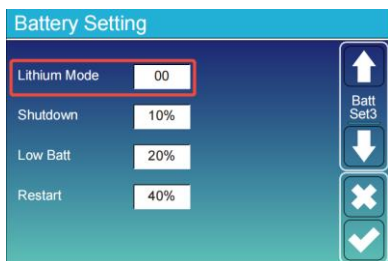
Name	Interface	Wiring definition	Notes	Standard Network Cable Example
Battery	CAN	4H/5L	Use a standard network cable to connect the inverter and battery.	
Inverter	BMS CAN	4H/5L		



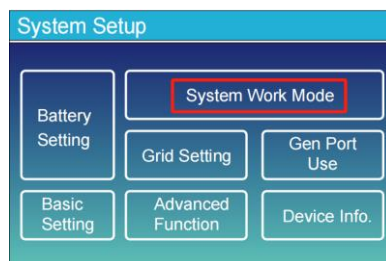
2: Single System Inverter Setup Instructions

<p>1. Enter the "Battery Setting".</p> 	<p>2. Select Lithium. Capacity setting and working current setting can be set through battery upload parameters. When the maximum limit of the inverter is lower than the battery upload parameters, it can be set according to the maximum parameters of the inverter, and the lithium mode can be set in the next page.</p> 	<p>2.1. Capacity and current Settings.</p> <table border="1"> <thead> <tr> <th>Batt Mode</th> <th>Capacity</th> <th>Charge current</th> <th>Discharge current</th> </tr> </thead> <tbody> <tr> <td>5220</td> <td>102Ah</td> <td>50A</td> <td>100A</td> </tr> <tr> <td>16K</td> <td>314Ah</td> <td>150A</td> <td>200A</td> </tr> </tbody> </table>	Batt Mode	Capacity	Charge current	Discharge current	5220	102Ah	50A	100A	16K	314Ah	150A	200A
Batt Mode	Capacity	Charge current	Discharge current											
5220	102Ah	50A	100A											
16K	314Ah	150A	200A											

3. Set the Lithium Mode to 00,
Shutdown to 10%, Low Batt to 20%,
and Restart to 40%.



4. Enter the System Work Mode.



5. Select Zero Export To Load,
and select Solar Sell.



3: Battery Parallel Connection

